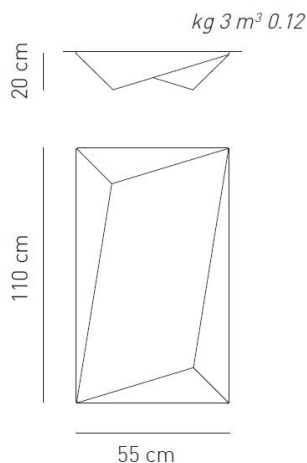


**PLUKIYO110**  
Design by Manuel Vivian

Collection consisting of ceiling or wall lamps with metal frame and white removable, washable elastic mesh fabric covering. Available in several sizes. Screw fitting light source.

Typology: CEILING-WALL LAMP

- Ratings
- E27
  - Diffused
  - Surface installation over holes
  - Supply voltage ~220-240V
  - Switch mode: on-off
  - Steel frame, painted



Product code composition

**UKIYO** / tessuto INCLUSO - applicazione a soffitto o a parete  
/ fabric INCLUDED - application: both as ceiling or wall lamp

Type	Article	Colours	Finish	Source
PL	UKI 110	BC white	XX white metal	E27 3 x Max 16W LED or 3 x Max 70W halo

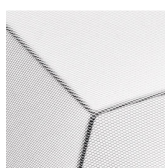
CE IP20 +LED

example composition code | PL | UKI110 | BC | XX | E27

for additional fabric please refer to our pricelist or contact our representatives

Fireproof covering composed of two overlapping elastic fabrics  
Net composition: 80% polyamide, 20% elastane (spandex)  
Fabric composition: 67% polyamide, 33% elastane (spandex)  
Weight 405 gr/m<sup>2</sup>  
Glow wire 750°C

Available lampshade colors



BC  
White

EELc (Energy Efficiency Label compatibility): E, D, C, B, A, A+, A++

PLUKI110BCXXE27

CUSTOMER \_\_\_\_\_  
\_\_\_\_\_

NOTES \_\_\_\_\_  
\_\_\_\_\_

Luminous flux (lm) and efficacy (lm/W) for all LED luminaires is estimated based on nominal ratings of the LED sources. Technical data could be subject to alteration without notice. Axo Light does not provide legal guarantee for the accuracy of this data sheet.