



LANTERN

concrete outdoor floor lamp



Properties

This product is made of concrete. Design by Urbi et Orbi studio in 2014.

Concrete is an extremely durable material, hence can be widely used in many applications. Concrete however, can stain or scratch or break if not used with care. It behaves like marble, ceramic or stone.

The raw material that we use is a unique reinforced mixture of cement, additives enhancers and special aggregates.

Aftercare

Always use soft sponges.

We recommend, not to rub the surface with sharp objects like wire, metal tools or hard sponges.



Dimensions/Weight

23X23 cm
Height: 31 cm
6kg


Light Source

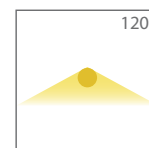
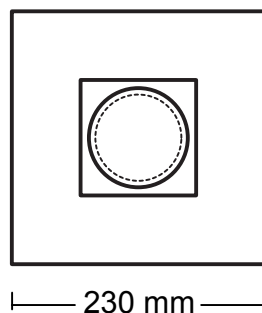
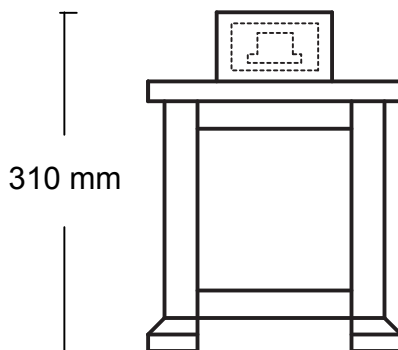
Input (V): 230V / 12V - 2.2watt
LED module IP65, 24 Led
>50.000h.
280Lumen
3000K, 4000K, 5000K
120°

Energy Class

A+

Packaging

31x31x45cm
7,5kg
RECYCLED CARDBOARD 



 **CE IP65**

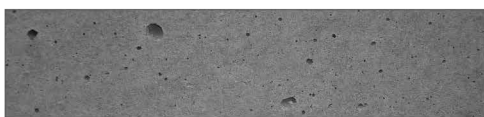
Colors sort by category

Colored in its mass with pigments

•Basic

Dark Grey	Medium Grey	Light Grey	Ivory	Brown/Beige
-----------	-------------	------------	-------	-------------

•Appearance



Every piece may appears with color tone variants at its surface, as also between the pieces or the sample. Concrete surface displays several air holes. This is a natural characteristic of concrete.

All rights reserved."Urbi et Orbi" brand and logos are registered trademarks. The industrial models of the product, the designation and the product photos are protected by the applicable copyright laws.

Urbi et Orbi reserves the right, in order to improve the capacities of the products, to make modifications to them, as if reference the raw materials, dimensions, weight, qualities or features, without prior notice.