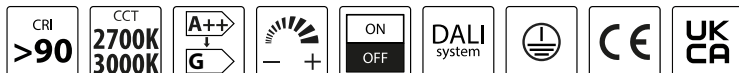


# DOT 600 Dali



Foster+Partners, 2015



Indirect lighting suspension lamp. Lighting body in aluminium housing the integrated customized LED and the light optic system for diffused light. Aluminium structure and steel matt-painted reflector. DALI version. The decentralization kit is included.

## FINISHINGS

Anodised Black

3000K - cod. 130D01XO220

2700K - cod. 130D01XOK27220

Anodised Brass

3000K - cod. 130D50XO220

2700K - cod. 130D50XOK27220

ALL RAL COATING AND GALVANIC FINISHES AVAILABLE UPON REQUEST

## LIGHT EMISSION

Light source power: 25,2W

Power absorption: 27,4W

Light Emission: Diffuse

Light Direction: Indirect Downlight

Light Source: Custom Led Board

Source Flux 3000K: 2568lm@1050mA

Emitted Flux 3000K: 1040lm

Efficacy 3000K: 38lm/W

Source Flux 2700K: 2400lm@1050mA

Emitted Flux 2700K: 1000lm

Efficacy 2700K: 37lm/W

CCT: 2700/3000K

CRI: 90

Lifetime: >55000h

## ELECTRICAL FACTS

Stand-by absorption: <0.5

Mains Voltage: 100/264VAC

Master output: 1050mA

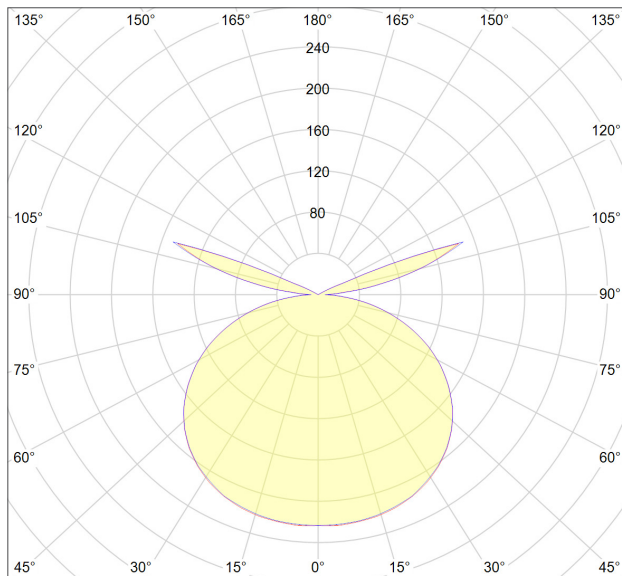
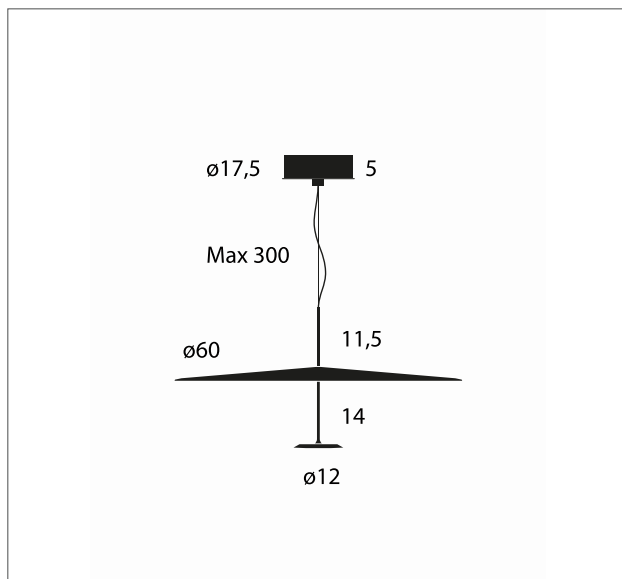
Ta max: 40°C

## PACKAGING DATA

Box dimensions: cm

Volume: m<sup>3</sup>

Gross weight: kg



# Dot 600 On-Off (1-10V)

LUMINA

Foster+Partners, 2015



Indirect lighting suspension lamp. Lighting body in aluminium housing the integrated customized LED and the light optic system for diffused light. Aluminium structure and steel matt-painted reflector. ON-OFF 1-10V version. The decentralization kit is included.

## FINISHINGS

Anodised Black

3000K - cod. 130S01X0220

2700K - cod. 130S01XOK27220

Anodised Brass

3000K - cod. 130S50X0220

2700K - cod. 130S50XOK27220

ALL RAL COATING AND GALVANIC FINISHES AVAILABLE UPON REQUEST

## LIGHT EMISSION

Light source power: 21,6W

Power absorption: 23,2W

Light Emission: Diffuse

Light Direction: Indirect Downlight

Light Source: Custom Led Board

Source Flux 3000K: 2350lm@900mA

Emitted Flux 3000K: 893lm

Efficacy 3000K: 39lm/W

Source Flux 2700K: 2260lm@900mA

Emitted Flux 2700K: 860lm

Efficacy 2700K: 37lm/W

CCT: 2700/3000K

CRI: 90

Lifetime: >55000h

## ELECTRICAL FACTS

Stand-by absorption: <0.5

Mains Voltage: 100/264VAC

Master output: 900mA

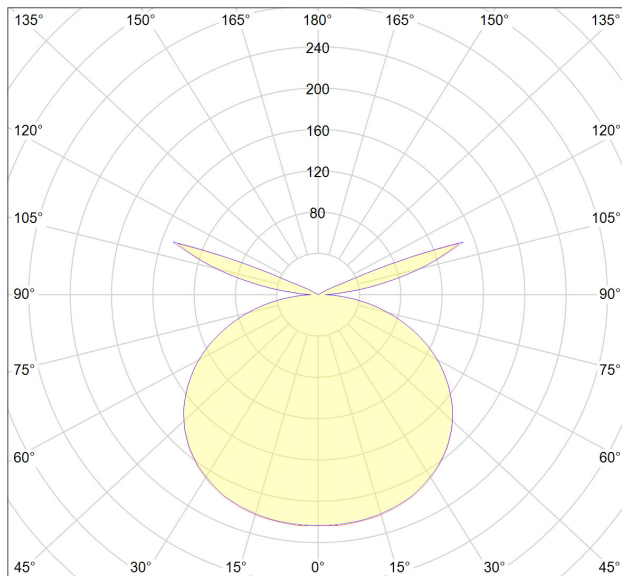
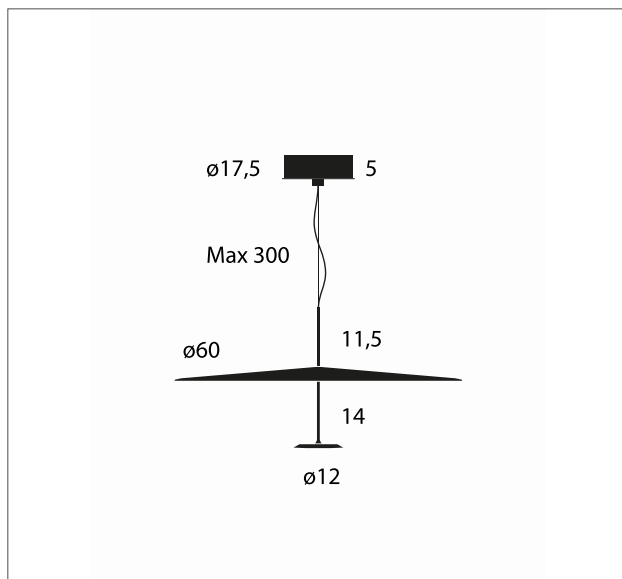
Ta max: 40°C

## PACKAGING DATA

Box dimensions: 70x70x24 cm

Volume: 0,17 m<sup>3</sup>

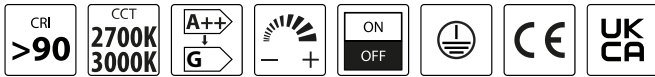
Gross weight: 10 kg



# Dot 600 TF



Foster+Partners, 2015



Indirect lighting suspension lamp. Lighting body in aluminium housing the integrated customized LED and the light optic system for diffused light. Aluminium structure and steel matt-painted reflector. Phase Cut dimming version. The decentralization kit is included.

## FINISHINGS

Anodised Black  
3000K - cod. 130TF01X0220  
2700K - cod. 130TF01XOK27220

Anodised Brass  
3000K - cod. 130TF50X0220  
2700K - cod. 130TF50XOK27220

ALL RAL COATING AND GALVANIC FINISHES AVAILABLE UPON REQUEST

## LIGHT EMISSION

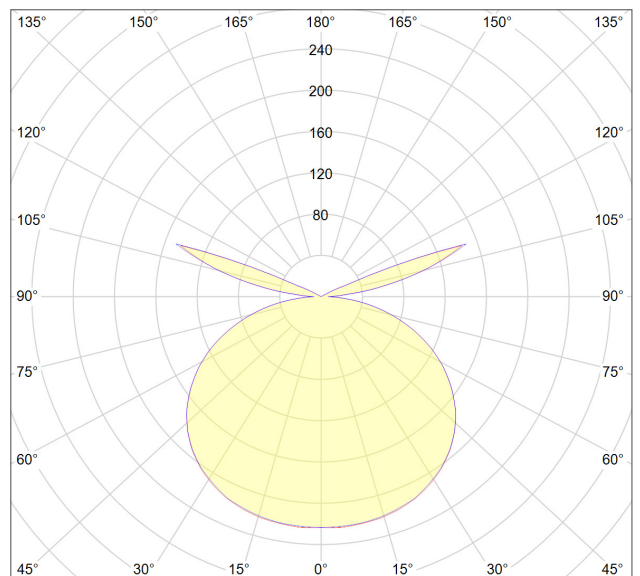
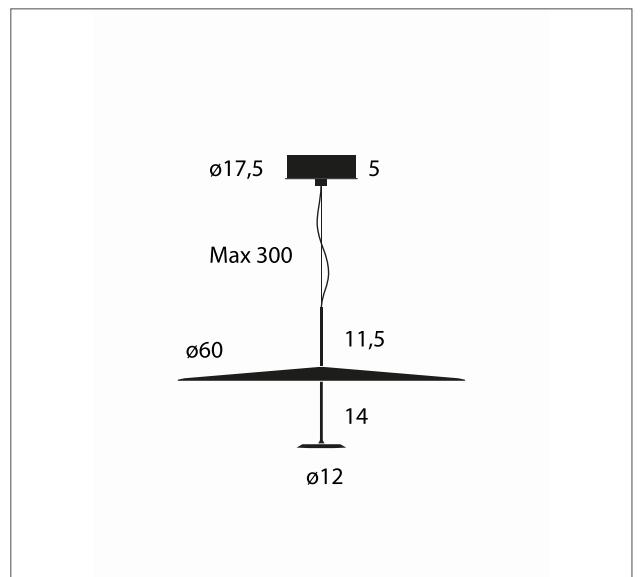
Light source power: 25,2W	Efficacy 3000K: 38lm/W
Power absorption: 27,4W	Source Flux 2700K: 2400lm@1050mA
Light Emission: Diffuse	Emitted Flux 2700K: 1000lm
Light Direction: Indirect Downlight	Efficacy 2700K: 37lm/W
Light Source: Custom Led Board	CCT: 2700/3000K
Source Flux 3000K: 2568lm@1050mA	CRI: 90
Emitted Flux 3000K: 1040lm	Lifetime: >55000h

## ELECTRICAL FACTS

Stand-by absorption: <0.5  
Mains Voltage: 100/264VAC  
Master output: 1050mA  
Ta max: 40°C

## PACKAGING DATA

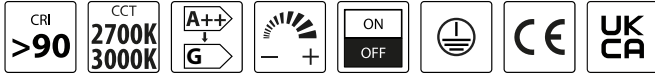
Box dimensions: cm  
Volume: m<sup>3</sup>  
Gross weight: kg



# Dot 800 TF



Foster+Partners, 2015



Indirect lighting suspension lamp. Lighting body in aluminium housing the integrated customized LED and the light optic system for diffused light. Aluminium structure and steel matt-painted reflector. Phase Cut dimming version. The decentralization kit is included.

## FINISHINGS

Anodised Black  
3000K - cod. 131TF01XO220  
2700K - cod. 131TF01XOK27220

Anodised Brass  
3000K - cod. 131TF50XO220  
2700K - cod. 131TF50XOK27220

ALL RAL COATING AND GALVANIC FINISHES AVAILABLE UPON REQUEST

## LIGHT EMISSION

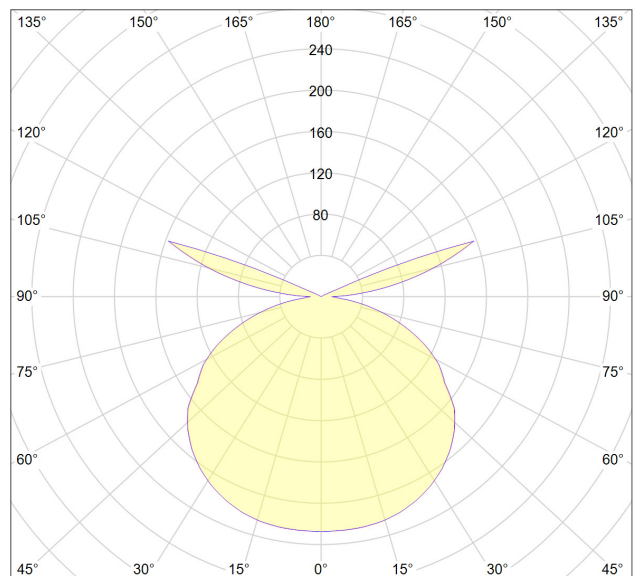
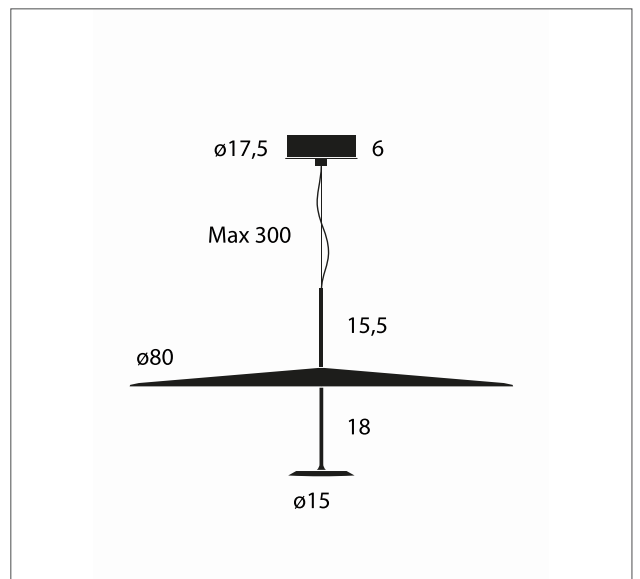
Light source power: 33,6W	Efficacy 3000K: 47lm/W
Power absorption: 37,6W	Source Flux 2700K: 3201lm@1400mA
Light Emission: Diffuse	Emitted Flux 2700K: 1690lm
Light Direction: Indirect Downlight	Efficacy 2700K: 45lm/W
Light Source: Custom Led Board	CCT: 2700/3000K
Source Flux 3000K: 3425lm@1400mA	CRI: 90
Emitted Flux 3000K: 1780lm	Lifetime: >55000h

## ELECTRICAL FACTS

Stand-by absorption: <0.5  
Mains Voltage: 220/240VAC  
Master output: 1400mA  
Ta max: 40°C

## PACKAGING DATA

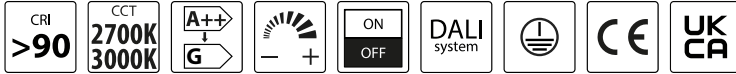
Box dimensions: 90x90x28 cm  
Volume: 0,3 m<sup>3</sup>  
Gross weight: 18 kg



# Dot 800



Foster+Partners, 2015



Indirect lighting suspension lamp. Lighting body in aluminium housing the integrated customized LED and the light optic system for diffused light. Aluminium structure and steel matt-painted reflector. 1-10V and DALI dimming options available. The decentralization kit is included.

## FINISHINGS

Anodised Black

3000K - cod. 131D01XO220

2700K - cod. 131D01XOK27220

Anodised Brass

3000K - cod. 131D50XO220

2700K - cod. 131D50XOK27220

ALL RAL COATING AND GALVANIC FINISHES AVAILABLE UPON REQUEST

## LIGHT EMISSION

Light source power: 33,6W

Power absorption: 37,6W

Light Emission: Diffuse

Light Direction: Indirect Downlight

Light Source: Custom Led Board

Source Flux 3000K: 3425lm@1400mA

Emitted Flux 3000K: 1780lm

Efficacy 3000K: 47lm/W

Source Flux 2700K: 3201lm@1400mA

Emitted Flux 2700K: 1690lm

Efficacy 2700K: 45m/W

CCT: 2700/3000K

CRI: 90

Lifetime: >55000h

## ELECTRICAL FACTS

Stand-by absorption: <0.5

Mains Voltage: 100/264VAC

Master output: 1400mA

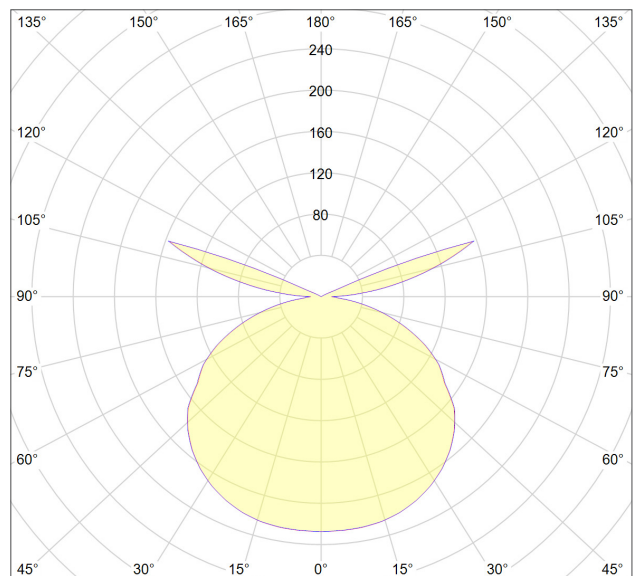
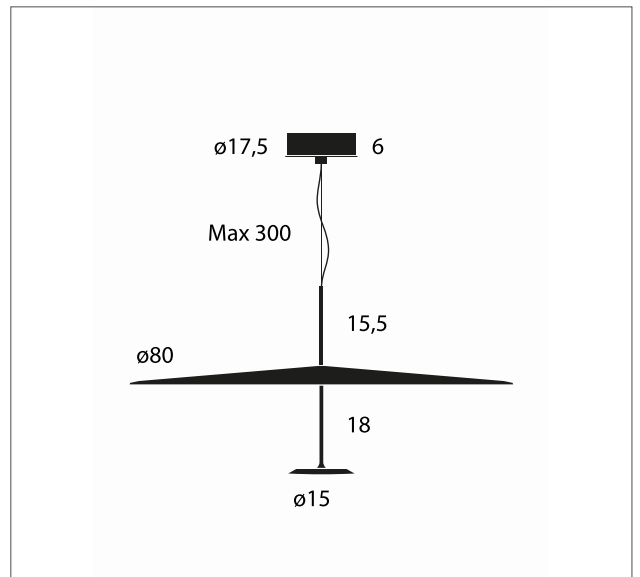
Ta max: 40°C

## PACKAGING DATA

Box dimensions: 90x90x28 cm

Volume: 0,3 m<sup>3</sup>

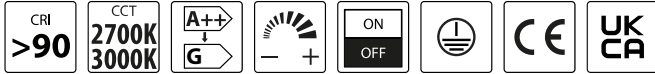
Gross weight: 18 kg



# Dot 1100 TF



Foster+Partners, 2015



Indirect lighting suspension lamp. Lighting body in aluminium housing the integrated customized LED and the light optic system for diffused light. Aluminium structure and steel matt-painted reflector. Phase Cut dimming version. The decentralization kit is included.

## FINISHINGS

Anodised Black  
3000K - cod. 132TF01XO220  
2700K - cod. 132TF01XOK27220

Anodised Brass  
3000K - cod. 132TF50XO220  
2700K - cod. 132TF50XOK27220

ALL RAL COATING AND GALVANIC FINISHES AVAILABLE UPON REQUEST

## LIGHT EMISSION

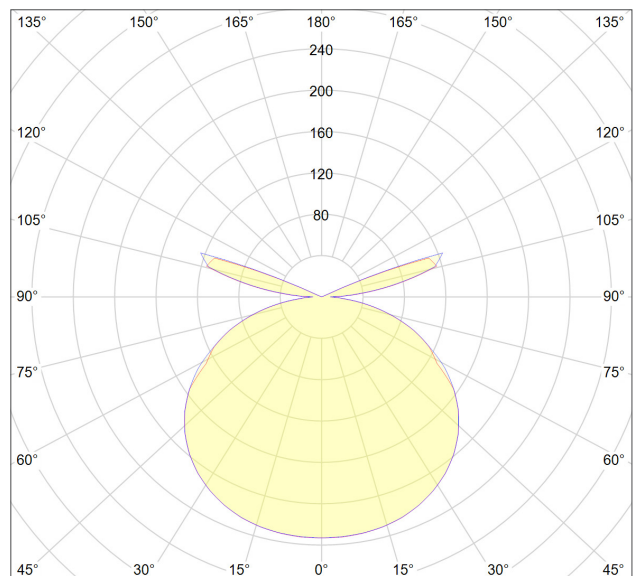
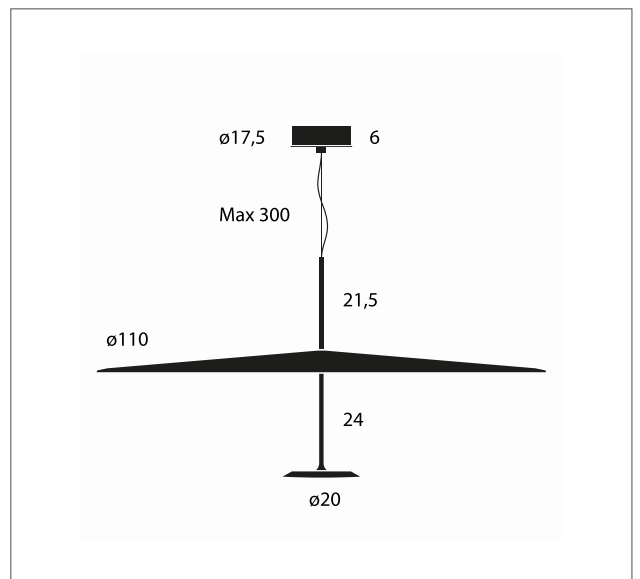
Light source power: 50,4W	Efficacy 3000K: 39lm/W
Power absorption: 56,4W	Source Flux 2700K: 4800lm@2100mA
Light Emission: Diffuse	Emitted Flux 2700K: 2139lm
Light Direction: Indirect Downlight	Efficacy 2700K: 38lm/W
Light Source: Custom Led Board	CCT: 2700/3000K
Source Flux 3000K: 5136lm@2100mA	CRI: 90
Emitted Flux 3000K: 2216lm	Lifetime: >55000h

## ELECTRICAL FACTS

Stand-by absorption: <0.5  
Mains Voltage: 220/240VAC  
Master output: 2100mA  
Ta max: 40°C

## PACKAGING DATA

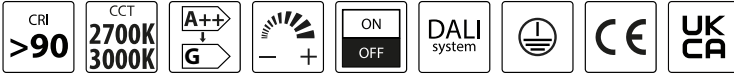
Box dimensions: 118x118x35 cm  
Volume: 0,56 m<sup>3</sup>  
Gross weight: 25 kg



# Dot 1100



Foster+Partners, 2015



Indirect lighting suspension lamp. Lighting body in aluminium housing the integrated customized LED and the light optic system for diffused light. Aluminium structure and steel matt-painted reflector. 1-10V and DALI dimming options available. The decentralization kit is included.

## FINISHINGS

Anodised Black  
3000K - cod. 132D01XO220  
2700K - cod. 132D01XOK27220

Anodised Brass  
3000K - cod. 132D50XO220  
2700K - cod. 132D50XOK27220

ALL RAL COATING AND GALVANIC FINISHES AVAILABLE UPON REQUEST

## LIGHT EMISSION

Light source power: 50,4W	Efficacy 3000K: 39lm/W
Power absorption: 56,4W	Source Flux 2700K: 4800lm@2100mA
Light Emission: Diffuse	Emitted Flux 2700K: 2139lm
Light Direction: Indirect Downlight	Efficacy 2700K: 38lm/W
Light Source: Custom Led Board	CCT: 2700/3000K
Source Flux 3000K: 5136lm@2100mA	CRI: 90
Emitted Flux 3000K: 2216lm	Lifetime: >55000h

## ELECTRICAL FACTS

Stand-by absorption: <0.5  
Mains Voltage: 100/264VAC  
Master output: 2100mA  
Ta max: 40°C

## PACKAGING DATA

Box dimensions: 118x118x35 cm  
Volume: 0,56 m<sup>3</sup>  
Gross weight: 25 kg

