



## Voiles

Celine Wright

Pendant Voiles LED 33.6 LED warm-white 2700K 0-10V / 1-10V / PUSH/ DALI Chrome 1864lm

### Technical features

- Luminaire total power: 33.6W
- Real lumens: 1864
- Real lm/W: 55
- Correlated Colour Temperature (CCT): LED warm-white 2700K
- UGR: <=16
- Structure material: Steel
- Structure finish: Chrome
- Diffuser material: Japanese paper
- Diffuser finish: White
- Driver Brand: TCI
- Voltage / frequency: 110-240V/50-60Hz
- Dimming protocol: 0-10V / 1-10V / PUSH/ DALI
- Power Factor: 0.95
- Useful life: 50,000h L80B20
- Warranty: 5 años



### Luminotechnic features

- CRI: 90
- MacAdam steps: 3
- Photobiological risk: RG1

UGR		Lampholder	Quantity	Light source power (W)	Correlated Colour Temperature (CCT)
S=0.250					
Ceiling / cavity	0.7	LED	1	28.5W	LED warm-white 2700K
Walls	0.5				
Working Plane	0.2				
Room dimensions	X=4H, Y=8H				
UGR crosswise	14.8				
UGR lengthwise	8.8				

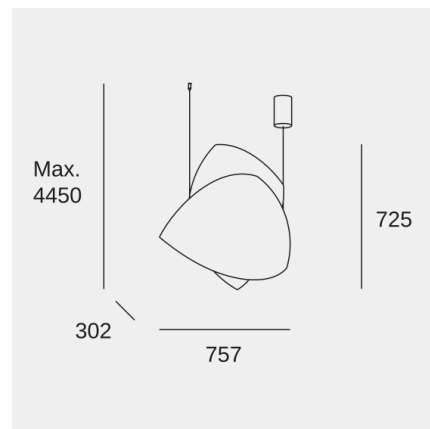


Image may not match reference. LedsC4 reserves the right to amend any of the product's components. The data related to flux, power and colour temperature may be subject to changes made by the manufacturer.



## Voiles

Celine Wright

Pendant Voiles LED 33.6 LED warm-white 2700K 0-10V / 1-10V / PUSH/ DALI Chrome 1864lm

### Light application



Image may not match reference. LedsC4 reserves the right to amend any of the product's components. The data related to flux, power and colour temperature may be subject to changes made by the manufacturer.