



WEVER & DUCRÉ
LIGHTING

ODREY WALL 2.5

387620GG0

Project

Type

Notes

Quantity

Date

GENERAL

Wall , Surface

Gold

IP20

Interior

Indirect 350^a to 365^b lm

Direct 350^a to 365^b lm

Total 700 to 730^b lm

CIE flux code: 94 98 100 50 76

LED

Lamp PAR16

Socket GU10

max. 12.0 W

2700 K^a, 3000 K^b

CRI ≥ 90

ELECTRICAL

100 - 240 V

LED Inset 13.0 W

Class 1

PHYSICAL

Diameter 115 mm

Height 404 mm

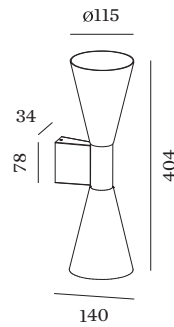
0.54 kg

^a PAR16 LAMP 2700K CRI90

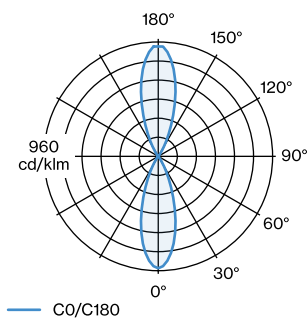
^b PAR16 LAMP 3000K CRI90



Wall surface luminaire made from die-cast aluminium; surface Gold wet painted; matt texture; up and down light emission; lamp socket GU10; lamp type PAR16; max. 12W; 100 - 240 V; degree of protection IP20; PC1; lamp not included;



LIGHT DISTRIBUTION



[387620GG0] The technical data represent rated values for an ambient temperature of 25°C. The data values for the luminous flux are initially subject to a tolerance of +/- 10%, those for the electrical connected load are initially subject to a tolerance of +/- 10%, and those for the colour temperature are initially subject to a tolerance of +/- 150 K. No liability is assumed for typographical or printing errors. The general terms and conditions of Wever & Ducré BV apply.
© Wever & Ducré BV · Spinnerijstraat 99/21 · 8500 Kortrijk · Belgium · www.weverducre.com



WEVER & DUCRÉ
LIGHTING

ODREY WALL 2.5

387620GG0

LAMPS

PAR16 LED Lamp

TYPE	COLOUR	Ø·H (MM)	ORDERCODE
2700K >90 CRI GU10	Black	∅50·60	9 0 1 2 2 8 B 3
3000K >90 CRI GU10	Black	∅50·60	9 0 1 2 2 8 B 5
2700K >90 CRI GU10	White	∅50·60	9 0 1 2 2 8 W 3
3000K >90 CRI GU10	White	∅50·60	9 0 1 2 2 8 W 5
2700K >80 CRI GU10	Silver	∅50·60	9 0 5 2 2 7 S 2
3000K >80 CRI GU10	Silver	∅50·60	9 0 5 2 2 7 S 4