



Organic

Manel Llusçà

Floor lamp Organic E27 15 Black 771lm

Technical features

Luminaire total power: 15W

Lens / reflector angle: HORIZONTAL 117°

Structure material: Steel

Structure finish: Black

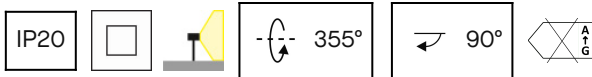
Max. size of light bulb: 120/80 mm

Recommended light bulb: E27

Voltage / frequency: 100-240V/50-60Hz

Warranty: 5 años

Easily recyclable luminaire



Luminotechnic features

Lampholder	Quantity	Light source power (W)	Correlated Colour Temperature (CCT)
E27	1	Max. power 15W	-

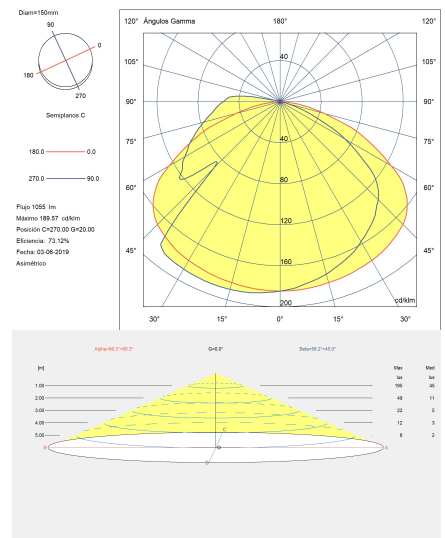
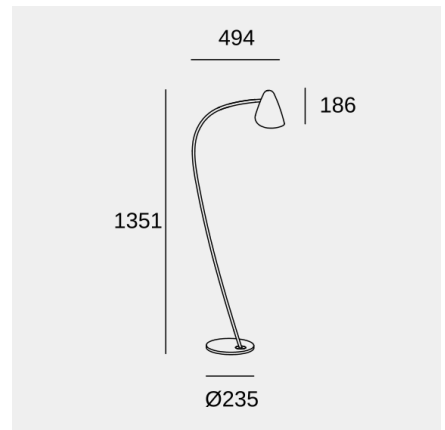


Image may not match reference. LedsC4 reserves the right to amend any of the product's components. The data related to flux, power and colour temperature may be subject to changes made by the manufacturer.



Organic

Manel Llusçà

Floor lamp Organic E27 15 Black 771lm

Logistics



x 1

Net weight (kg): 4.83

Packaged weight (kg): 6.55

Packaging: 590mm x 240mm x
1445mm

Light application



Image may not match reference. LedsC4 reserves the right to amend any of the product's components. The data related to flux, power and colour temperature may be subject to changes made by the manufacturer.