



Candle Triplex

Benedito Design

Pendant Candle Triplex LED 11.5 LED warm-white 2700K PHASE CUT Brass 461lm

Technical features

- Luminaire total power: 11.5W
- Real lumens: 461
- Real lm/W: 40
- Correlated Colour Temperature (CCT): LED warm-white 2700K
- Structure material: Steel, Aluminium
- Structure finish: Brass
- Diffuser material: Methacrylate
- Diffuser finish: Transparent
- Driver Brand: HEP
- Voltage / frequency: 220-240V/50-60Hz
- Dimming protocol: PHASE CUT
- Power Factor: 0.90
- THD%: 20
- Useful life: 50,000h L80B20
- Warranty: 5 años



Luminotechnic features

- CRI: 90
- MacAdam steps: 2
- Photobiological risk: RG1

Lampholder	Quantity	Light source power (W)	Correlated Colour Temperature (CCT)
LED	1	9.4W	LED warm-white 2700K

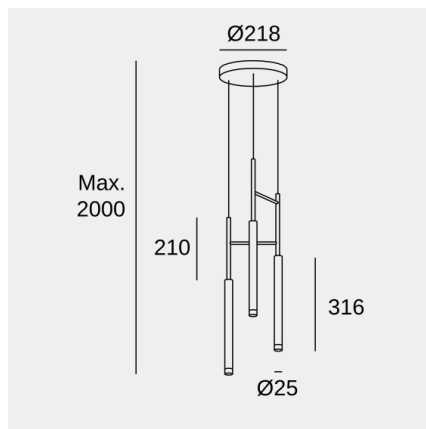


Image may not match reference. LedsC4 reserves the right to amend any of the product's components. The data related to flux, power and colour temperature may be subject to changes made by the manufacturer.



Candle Triplex

Benedito Design

Pendant Candle Triplex LED 11.5 LED warm-white 2700K PHASE CUT Brass 461lm

Logistics



x 1

Net weight (kg): 3.05

Packaged weight (kg): 4.46

Packaging: 750mm x 320mm x
260mm

Light application



Image may not match reference. LedsC4 reserves the right to amend any of the product's components. The data related to flux, power and colour temperature may be subject to changes made by the manufacturer.