



FINESTRA

Wall fixture IP66 FINESTRA LED 5.4 LED neutral-white 4000K ON-OFF Black 281lm

Technical features

- Luminaire total power: 5.4W
- Real lumens: 281
- Real lm/W: 52
- Correlated Colour Temperature (CCT): LED neutral-white 4000K
- Lens / reflector angle: FLOOD 56°
- Structure material: Aluminium
- Structure finish: Black
- Diffuser material: Polycarbonate
- Diffuser finish: Transparent
- Voltage / frequency: 100-240V/50-60Hz
- Dimming protocol: ON-OFF
- Power Factor: 0.90
- Useful life: 50,000h L80B20
- Warranty: 5 años
- Resistant to marine environments: Yes



Luminotechnic features

- CRI: 80
- MacAdam steps: 3
- Photobiological risk: RG1

Lampholder	Quantity	Light source power (W)
LED	1	4.2W

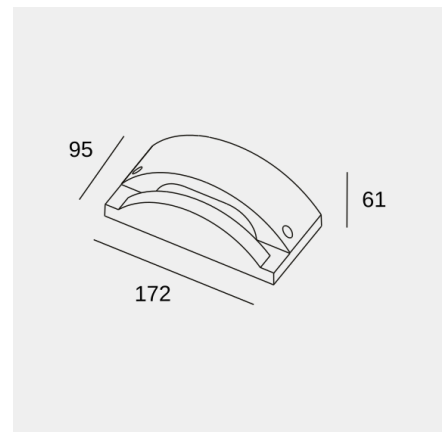


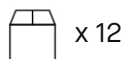
Image may not match reference. LedsC4 reserves the right to amend any of the product's components. The data related to flux, power and colour temperature may be subject to changes made by the manufacturer.



FINESTRA

Wall fixture IP66 FINESTRA LED 5.4 LED neutral-white 4000K ON-OFF Black 281lm

Logistics



x 12

Net weight (kg): 0.64

Packaged weight (kg): 0.75

Packaging: 180mm x 150mm x 60mm

Image may not match reference. LedsC4 reserves the right to amend any of the product's components. The data related to flux, power and colour temperature may be subject to changes made by the manufacturer.



FINESTRA

Wall fixture IP66 FINESTRA LED 5.4 LED neutral-white 4000K ON-OFF Black 281lm

Accessories included



Colour diffusers



3000K diffuser

Optional accessories



71-E512-00-00

Structure material: Nylon
Dimensions: 24 x 71 x NA



71-E513-00-00

Structure material: Nylon
Dimensions: 25 x 102 x 65



71-E112-00-00

IP68 anti-condensation connector with two inlets

Structure material: Technopolymer
Dimensions: 23 x 88 x NA
Net weight (kg): 0.04

Image may not match reference. LedsC4 reserves the right to amend any of the product's components. The data related to flux, power and colour temperature may be subject to changes made by the manufacturer.

Optional accessories



71-E122-00-00

IP68 anti-condensation connector with four inlets

Structure material: Technopolymer

Dimensions: 54 x 88 x 28

Net weight (kg): 0.09



71-9199-05-05

IP68 connector with six inlets

Structure material:

Dimensions: NA x NA x NA

Net weight (kg): 0.26

Image may not match reference. LedsC4 reserves the right to amend any of the product's components. The data related to flux, power and colour temperature may be subject to changes made by the manufacturer.