



Vanity

Nahtrang Design

Bathroom Wall Light Bathroom Mirror IP44 Vanity LED 9W 3000K 256lm. Mirror Magnification x3

Technical features

Luminaire total power: 10.5W

Real lumens: 256

Real lm/W: 24

Correlated Colour Temperature (CCT): LED warm-white 3000K

Lens / reflector angle: HORIZONTAL 145°

UGR: <=22

Structure material: Aluminium

Structure finish: Chrome

Diffuser material: Plastic

Diffuser finish: Sandblasted

Driver Brand: HEP

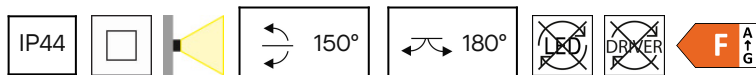
Voltage / frequency: 100-240V/50-60Hz

Dimming protocol: TOUCH DIMMING

Power Factor: 0.50

Useful life: 50,000h L80B20

Warranty: 5 años



Luminotechnic features

TM30 RG: 97

TM30 RF: 91

Melanopic ratio: 0.571

CRI: 90

MacAdam steps: 3

Photobiological risk: RGO

Lampholder	Quantity	Light source power (W)
LED	1	9W

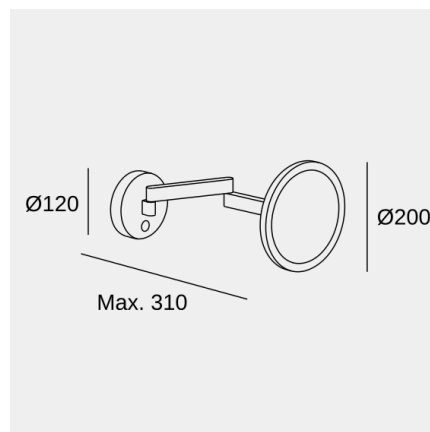
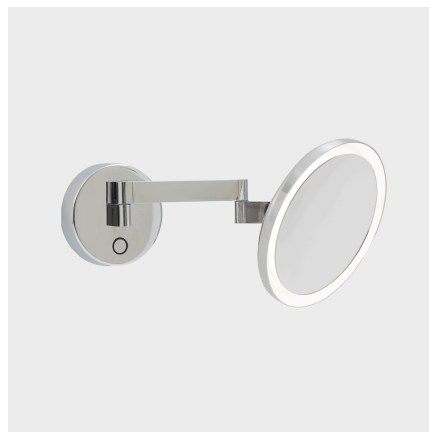


Image may not match reference. LedsC4 reserves the right to amend any of the product's components. The data related to flux, power and colour temperature may be subject to changes made by the manufacturer.



Vanity

Nahtrang Design

Bathroom Wall Light Bathroom Mirror IP44 Vanity LED 9W 3000K 256lm. Mirror Magnification x3

Logistics



x 4

Net weight (kg): 1.19

Packaged weight (kg): 1.95

Packaging: 375mm x 268mm x 190mm

Image may not match reference. LedsC4 reserves the right to amend any of the product's components. The data related to flux, power and colour temperature may be subject to changes made by the manufacturer.