



WEVER & DUCRÉ
LIGHTING

TUBE CARRÉ WALL 2.0 PAR16

744220W0

Project

Type

Notes

Quantity

Date

GENERAL

Wall
Surface
White Matt
RAL 9003^a
IP65
Exterior
Indirect 445^b to 480^c lm

LED

Lamp 2 x PAR16
PAR16
Socket GU10
max. 5.0 W

ELECTRICAL

100 - 240 V
Class 1
Safety distance 0.3 m

PHYSICAL

Length 79 mm
Width 79 mm
Height 150 mm
0.9 kg

^a Color may deviate slightly due to production conditions.

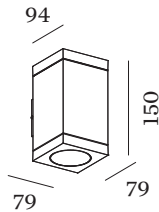
^b PAR16 LAMP 2700K CRI90

^c PAR16 LAMP 3000K CRI90

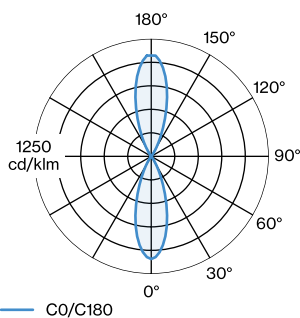


IP65 0,3 m

Rectangular wall surface luminaire made from aluminium; surface White Matt; powder coated; matt texture; RAL 9003; lamp socket GU10; lamp type PAR16; 2x max. 5W; 100 - 240 V; up and down light emission; degree of protection IP65; PC1; lamp not included;



LIGHT DISTRIBUTION



[744220W0] The technical data represent rated values for an ambient temperature of 25°C. The data values for the luminous flux are initially subject to a tolerance of +/- 10%, those for the electrical connected load are initially subject to a tolerance of +/- 10%, and those for the colour temperature are initially subject to a tolerance of +/- 150 K. No liability is assumed for typographical or printing errors. The general terms and conditions of Wever & Ducré BV apply.
© Wever & Ducré BV · Spinnerijstraat 99/21 · 8500 Kortrijk · Belgium · www.weverducre.com



WEVER & DUCRÉ
LIGHTING

TUBE CARRÉ WALL 2.0 PAR16

744220W0

LAMPS

PAR16 LED Lamp

TYPE	COLOUR	Ø · H (MM)	ORDERCODE
2700K >90 CRI GU10	Black	ø50-60	9 0 1 2 2 8 B 3
3000K >90 CRI GU10	Black	ø50-60	9 0 1 2 2 8 B 5
2700K >90 CRI GU10	White	ø50-60	9 0 1 2 2 8 W 3
3000K >90 CRI GU10	White	ø50-60	9 0 1 2 2 8 W 5
2700K >80 CRI GU10	Silver	ø50-60	9 0 5 2 2 7 S 2
3000K >80 CRI GU10	Silver	ø50-60	9 0 5 2 2 7 S 4