



WEVER & DUCRÉ
LIGHTING

TRAM WALL 2.0

747268A5

Project

Type

Notes

Quantity

Date

GENERAL

Wall

Surface

Anthracite Grey

RAL 7016^a

IP65

Exterior

Indirect 255 lm

Direct 255 lm

Total 510 lm

LED

3000 K

CRI \geq 90

3-step binning

ELECTRICAL

phase-cut dim

220 - 240 V

Total connected power 7.9 W

Class 1

Safety distance 0.3 m

PHYSICAL

Diameter 50 mm

Height 105 mm

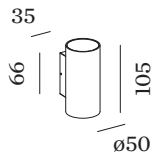
0.3 kg

^a Color may deviate slightly due to production conditions.

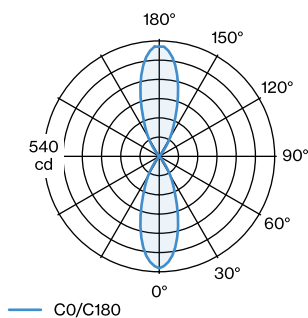


IP65 $\leq 0,3 \rightarrow$

Cylindrical wall surface mounted luminaire made from die-cast aluminium; surface Anthracite Grey; powder coated; matt texture; RAL 7016; up and down light emission; with COB (Chip on Board) technology for maximum efficiency; phase-cut dim; light colour 3000 K; binning initial MacAdam ≤ 3 SDCM; CRI ≥ 90 ; 220 - 240 V; degree of protection IP65; PC1;



LIGHT DISTRIBUTION





WEVER & DUCRÉ
LIGHTING

TRAM WALL 2.0

747268A5