



WEVER & DUCRÉ
LIGHTING

TRAIN OUTDOOR 1.0

718668Q5

Project

Type

Notes

Quantity

Date

GENERAL

Ceiling

Surface

Bronze

IP65

Exterior

565 lm

LED

3000 K

CRI \geq 90

OPTICAL

Beam angle 36°

ELECTRICAL

phase-cut dim

220 - 240 V

Total connected power 6.0 W

Class 1

Safety distance 0.3 m

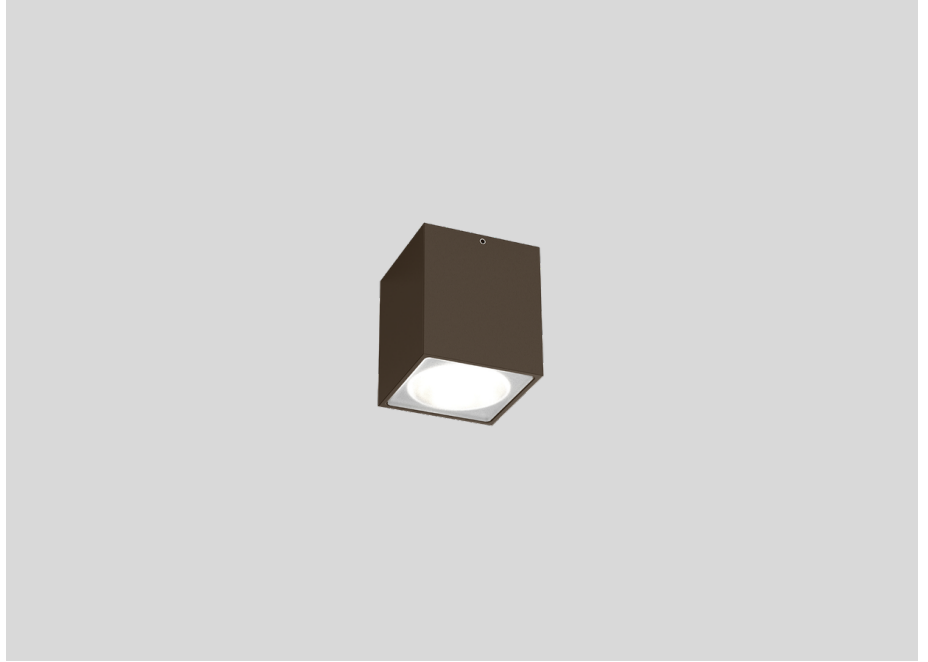
PHYSICAL

Length 52 mm

Width 52 mm

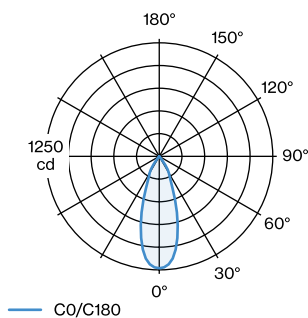
Height 60 mm

0.3 kg



Squared ceiling surface mounted downlight made from die-cast aluminium; surface Bronze; powder coated; matt texture; with COB (Chip on Board) technology for maximum efficiency; phase-cut dim; light colour 3000 K; CRI \geq 90; 220 - 240 V; beam angle 36°; degree of protection IP65; PCI; light source not replaceable;

LIGHT DISTRIBUTION





WEVER & DUCRÉ
LIGHTING

TRAIN OUTDOOR 1.0

718668Q5