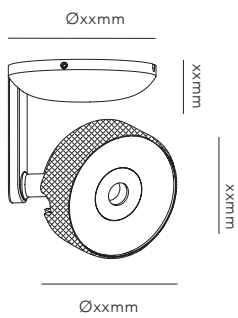


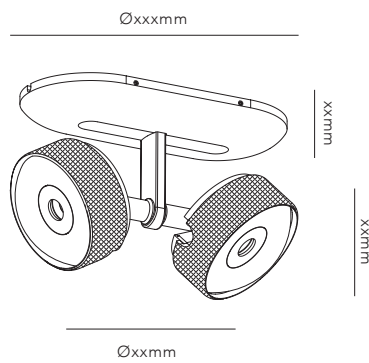


COSMO

Design: Nital Patel



COSMO C1



COSMO C2

COSMO - 2700K

Design: Nital Patel

LIGHT·POINT
C O P E N H A G E N

ART. NAME	COSMO C1	COSMO C2	
Art. no. white	271000	271010	-
Art. no. carbon black	271001	271011	-
Art. no. rose gold	271002	271012	-
Art. no. titanium	271003	271013	-
Art. no. brass	271004	271014	-
EAN white	5711389710002	5711389710101	-
EAN carbon black	5711389710019	5711389710118	-
EAN rose gold	5711389710026	5711389710125	-
EAN titanium	5711389710033	5711389710132	-
EAN brass	5711389710040	5711389710149	-
Material	Aluminium	Aluminium	-
Light source	Edison	Edison	-
Lifetime	50.000	50.000	-
Number of light sources	1	2	-
Electronical gear	N/A	N/A	-
Driver watt	N/A	N/A	-
Light source watt	10	2x10	-
System watt	10	20	-
Voltage	220-240V	220-240V	-
Dimmable	Yes	Yes	-
Lumen output	726 (nominal)	1450 (nominal)	-
Lumen pr. watt	70	70	-
Flux	N/A	N/A	-
CCT (K)	2700	2700	-
RA/CRI	>90	>90	-
Mac Adam	3	3	-
Light distribution	Down	Down	-
Beam angle	70	70	-
Tilt angle	N/A	N/A	-
Cutout mm.	N/A	N/A	-
Rotation	N/A	N/A	-
Looping	N/A	N/A	-