



## Properties

---

This product is made of concrete. Valentino Marengo in 2017.

Concrete is an extremely durable material, hence can be widely used in many applications. Concrete however, can stain or scratch or break if not used with care. It behaves like marble, ceramic or stone.

The raw material that we use is a unique reinforced mixture of cement, additives enhancers and special aggregates.

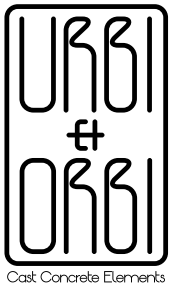
## Aftercare

---

Always use soft sponges.

We recommend, not to rub the surface with sharp objects like wire, metal tools or hard sponges.





OCT 17'

Technical sheet / Specifications / Aftercare

**PAPEL**  
concrete table lamp  
design by Valentino Marengo  
2017

### Dimensions/Weight

Diameter: 7 cm  
Height: max 28 cm  
1 kg  
Material: concrete and polyester paper

### Cable

Pvc Black 1.5m

### Socket/Light Bulb

Type of socket : G9  
Recommended light bulb: LED  
Light bulb not included  
Input (V):230  
Type C plug (EU)

### Energy Class

from A to A++

### Packaging

16x16x21cm  
2kg  
RECYCLED CARDBOARD

### Colors sort by category

Colored in its mass with pigments

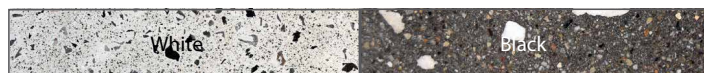
•Basic



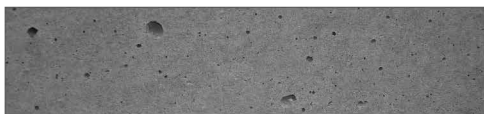
•Sand



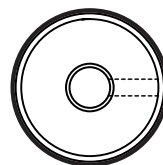
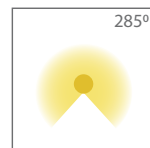
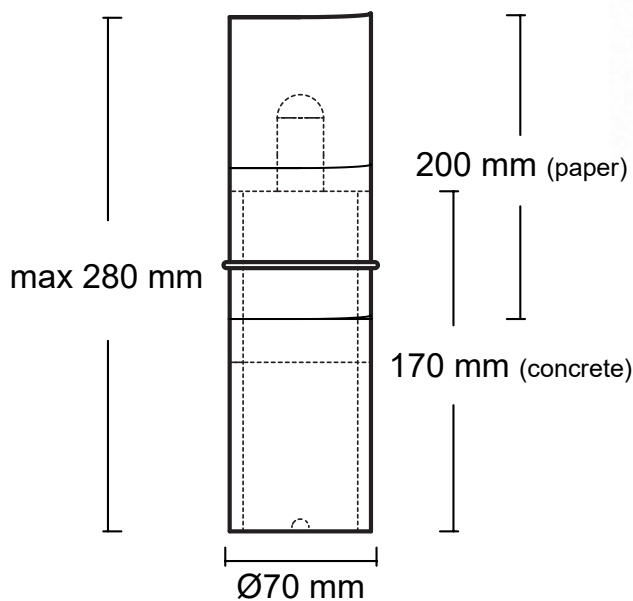
•Terrazzo



•Appearance



Every piece may appears with color tone variants at its surface, as also between the pieces or the sample. Concrete surface displays several air holes. This is a natural characteristic of concrete.



**CE IP20**

All rights reserved."Urbi et Orbi" brand and logos are registered trademarks. The industrial models of the product, the designation and the product photos are protected by the applicable copyright laws.

Urbi et Orbi reserves the right, in order to improve the capacities of the products, to make modifications to them, as if reference the raw materials, dimensions, weight, qualities or features, without prior notice.

