

OCT 17'

Technical sheet / Specifications / Aftercare



**GLOBUS 410**  
concrete pendant lamp



## Properties

---

This product is made of concrete. Design by Urbi et Orbi studio in 2016.

Concrete is an extremely durable material, hence can be widely used in many applications. Concrete however, can stain or scratch or break if not used with care. It behaves like marble, ceramic or stone.

The raw material that we use is a unique reinforced mixture of cement, additives enhancers and special aggregates.

## Aftercare

---

Always use soft sponges.

We recommend, not to rub the surface with sharp objects like wire, metal tools or hard sponges.





Urbi et Orbi : based in Greece, Thessalonikis 61 - 18233 Athens EL076200106/T. 0030 210 4520178, Email: [info@urbietorbi.gr](mailto:info@urbietorbi.gr),  
[www.urbietorbi.gr](http://www.urbietorbi.gr)

## Dimensions/Weight

Diameter: 41 cm  
Height: 16,5 cm  
Edge thickness: 1 cm  
6,5kg

## Cable

Textile  
Standard Colors:   
Optional Colors:   
More Colors on demand  
Dimension: 1,9m max. (longer on demand)  
Ceiling rose: Nickel Matte


## Socket/Light Bulb

E27  
Recommended light bulb: max watt (W) 70 eco  
Light bulb not included  
Input (V):110-230

## Energy Class

from D to A++

## Packaging

51x51x30cm  
8kg  
RECYCLED CARDBOARD 

## Colors sort by category

Colored in its mass with pigments

•Grey



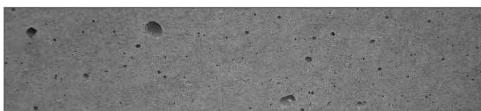
•Basic



•Sand



•Appearance

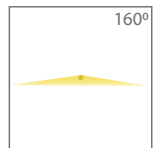
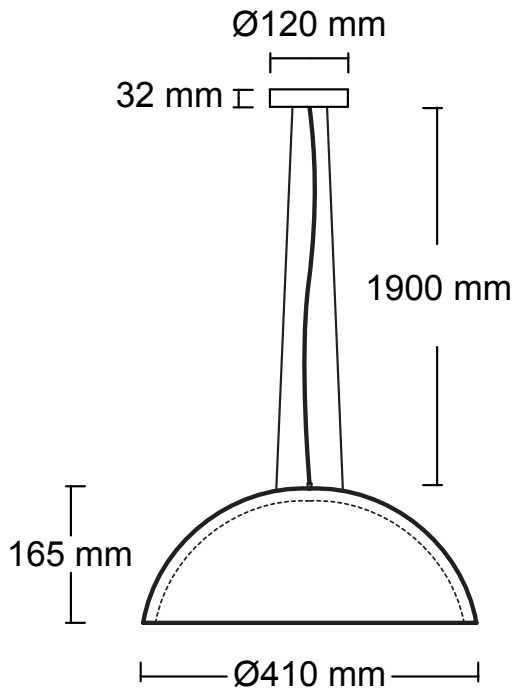


Every piece may appears with color tone variants at its surface, as also between the pieces or the sample. Concrete surface displays several air holes.

This is a natural characteristic of concrete.

*All rights reserved. "Urbi et Orbi" brand and logos are registered trademarks. The industrial models of the product, the designation and the product photos are protected by the applicable copyright laws.*

*Urbi et Orbi reserves the right, in order to improve the capacities of the products, to make modifications to them, as if reference the raw materials, dimensions, weight, qualities or features, without prior notice.*



 **CE IP20**