

# PLINT

*Massimo Colagrande*

PLINT is a LED spot that bursts into the world of accent lighting, challenging the notions of conventional spotlights with its flexibility of installation and excellent light quality. The integrated design of the high-performing spot with variable optics in a solid metal structure allow PLINT to be freely positioned for optimal and precise, yet discreet accent lighting. On-board dimming and the vast adjustability possibilities of PLINT's light emission make it a versatile and innovative tool for any project. Available in matte black finishing and in two different color temperatures.



# 2700K

---

## LAMPING

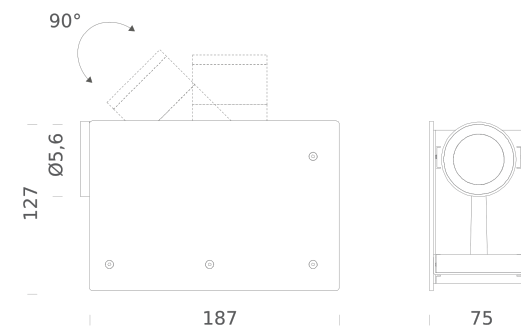
Source	LED
Total power	13W
Emission	orientable
Switching	dim on board
Tension	220/240V
Color temperature	2700K
Luminous flux	900lm
Typ cri	> 90
Ip class	20
Materials	Aluminum
Notes	driver on board, adjustable beam 15°-55°, orientable spot 90°, cable length 3m

## Codes

PLT LN2 11

## Structure

black



# 3000K

## LAMPING

Source	LED
Total power	13W
Emission	orientable
Switching	dim on board
Tension	220/240V
Color temperature	3000K
Luminous flux	900lm
Typ cri	> 90
Ip class	20
Materials	Aluminum
Notes	driver on board, adjustable beam 15°-55°, orientable spot 90°, cable length 3m

## Codes

PLT LN3 11

## Structure

black

