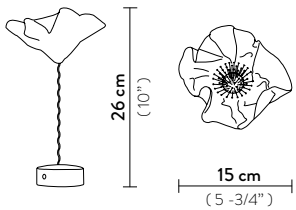

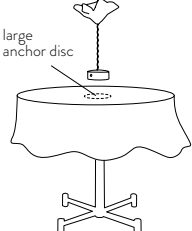
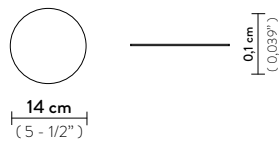
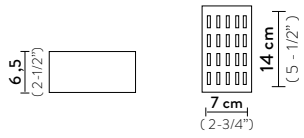
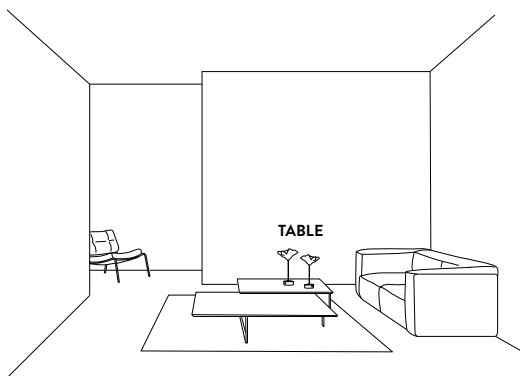




PRODUCT	SIZE	COLOUR	CODE
<p>TABLE LAMP</p> <p>LED: 1.3 W dimmable LED – 150 Lumen 2700 Kelvin - Rechargeable Li-ion Polymer Cell 3.7 Vdc 2500 mAh Charge 5 Vdc 1 A</p> <p>Battery duration: at max. intensity around 6,5 hours duration, at min. intensity around 60 hours duration</p> <p>With: USB/ DC plug included</p> <p>Magnetic base and complementary anchor</p> <p>Made of: Lentiflex® / Copper wires</p> <p>Weight: net Kg 0,2 - gross Kg 0,6</p> <p>Package: 19 x 19 x h 35 cm</p>	 <p>COMPLEMENTARY ANCHOR FOR WALL - RAL 9016 WHITE</p> 	<input checked="" type="checkbox"/> PRISMA	LAF97TAVB000LE000
<p>ADDITIONAL LARGE MAGNETIC ANCHOR DISC</p> <p>RAL 9016 WHITE</p> <p>To be placed under a tablecloth or other fabric covering</p> 		<input type="checkbox"/> WHITE	ACC00TAV0003W_LAF
<p>USB MULTICHARGER STATION 20 PORTS</p> <p>With: 20 USB, wire 1,50 m fan automatic heat dissipation</p> <p>Weight: net Kg 0,49 - gross Kg 0,53</p> <p>Package: 15,5 x 15,5 x h. 7cm</p>			ACC00CHAP020_000

LAFLEUR ENTIRE COLLECTION



CERTIFICATION

CE IP 20  

ENERGY CLASS: A / A+ / A++

ENERGY LABEL AVAILABLE ON SLAMP'S WEBSITE

FINISHES



PRISMA
WITH WHITE BASE