



WEVER & DUCRÉ
LIGHTING

RINI SNEAK 1.0 PAR16

154220B0

Project

Type

Notes

Quantity

Date

GENERAL

Ceiling

Recessed

Jet Black

IP44

Interior

280 lm

9005^a

LED

Lamp PAR16

PAR16

Socket GU10

max. 12 W

2700 K

CRI 90

OPTICAL

Wide Flood

Beam angle 48°

PHYSICAL

Diameter 84 mm

Height 99 mm

0.16 kg

ELECTRICAL

100 - 240 V

Total connected power 8.6 W

PC2

Safety distance 0.9 m

CUTOUT

Diameter 76-79 mm

Min. ceiling thickness 4 mm

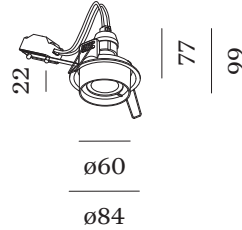
Max. ceiling thickness 25 mm

Recessed depth 80 mm

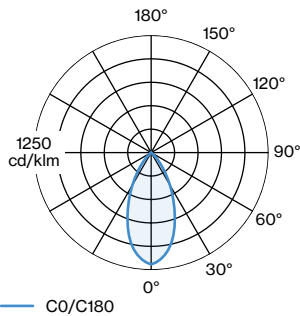
^a RAL Palette colors may deviate slightly due to production conditions.



IP44  



LIGHT DISTRIBUTION





WEVER & DUCRÉ
LIGHTING

RINI SNEAK 1.0 PAR16

154220B0

CONE DIAGRAM

wide flood 48°

h (m)	EO° (lx)	ø (m)
1	397	0.89
2	99	1.78
3	44	2.67
4	24	3.56
5	15	4.45

LED LAMPS

PAR16 LED Lamp

TYPE	COLOUR	Ø · H (MM)	ORDERCODE
2700K GU10	Jet Black	ø50-58	9 0 1 2 2 8 B 3
3000K GU10	Jet Black	ø50-58	9 0 1 2 2 8 B 5
2700K GU10	Signal White	ø50-58	9 0 1 2 2 8 W 2
2700K GU10	Signal White	ø50-58	9 0 1 2 2 8 W 3
3000K GU10	Signal White	ø50-58	9 0 1 2 2 8 W 4

PAR16 LED Lamp | Ambient

TYPE	Ø · H (MM)	ORDERCODE
1800-2850K GU10	ø50-58	9 0 1 2 2 9 S 9