



WEVER & DUCRÉ
LIGHTING

MICK WALL 1.0

159354J3

Project
Type
Notes
Quantity
Date

GENERAL

Wall
 Surface
 Signal White + Gold
 IP20
 Interior
 230 lm

LED

2700 K
 CRI 90
 L80 / 50000 h
 3-step binning

OPTICAL

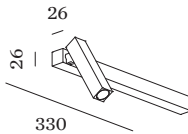
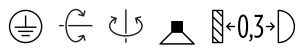
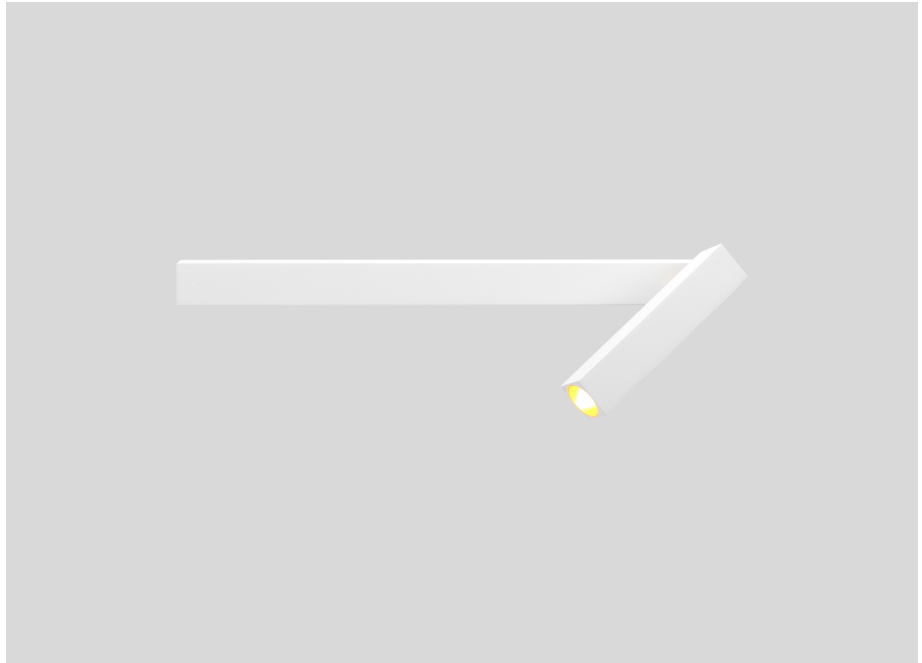
Beam angle 17°

PHYSICAL

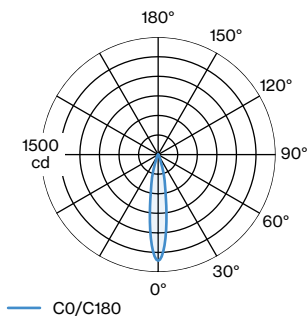
Length 330 mm
 Width 26 mm
 Height 130 mm
 0.35 kg
 Tilt min 90°
 Tilt max 90°
 Rotation 350°

ELECTRICAL

incl. PS | phase-cut dim
 220 - 240 V
 Total connected power 7.3 W
 LED Inset 5.5 W
 PC1
 Safety distance 0.3 m



LIGHT DISTRIBUTION





WEVER & DUCRÉ
LIGHTING

MICK WALL 1.0

159354J3

CONE DIAGRAM

18°

h (m)	E0° (lx)	ø (m)
1	1360	0.31
2	339	0.62
3	151	0.93
4	84	1.25
5	54	1.56