



WEVER & DUCRÉ
LIGHTING

MICK 2.0

159254J3

Project

Type

Notes

Quantity

Date

GENERAL

Ceiling

Surface

Signal White + Gold

IP20

Interior

460 lm

LED

2700 K

CRI 90

L80 / 50000 h

3-step binning

OPTICAL

Beam angle 17°

PHYSICAL

Length 450 mm

Width 26 mm

Height 130 mm

0.62 kg

Tilt min 90°

Tilt max 90°

Rotation 350°

ELECTRICAL

phase-cut dim

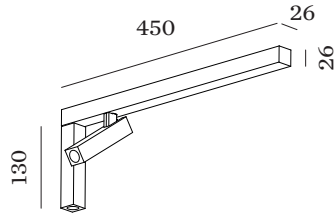
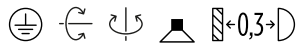
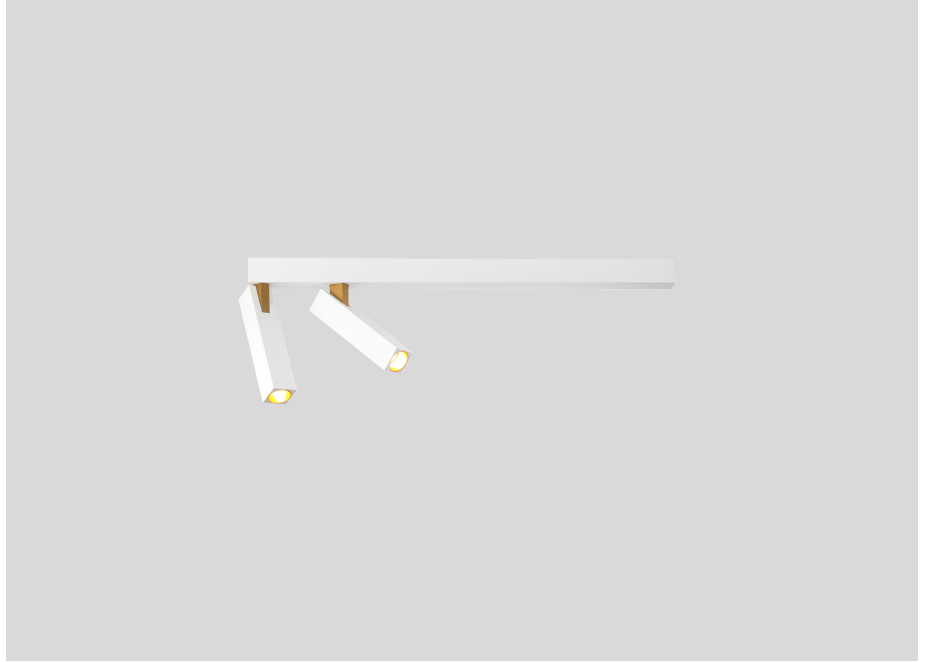
220 - 240 V

Total connected power 13 W

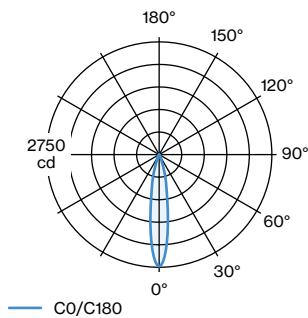
LED Inset 11 W

PC1

Safety distance 0.3 m



LIGHT DISTRIBUTION





WEVER & DUCRÉ
LIGHTING

MICK 2.0

159254J3

CONE DIAGRAM

18°

h (m)	E0° (lx)	ø (m)
1	2730	0.31
2	682	0.62
3	303	0.93
4	171	1.25
5	109	1.56