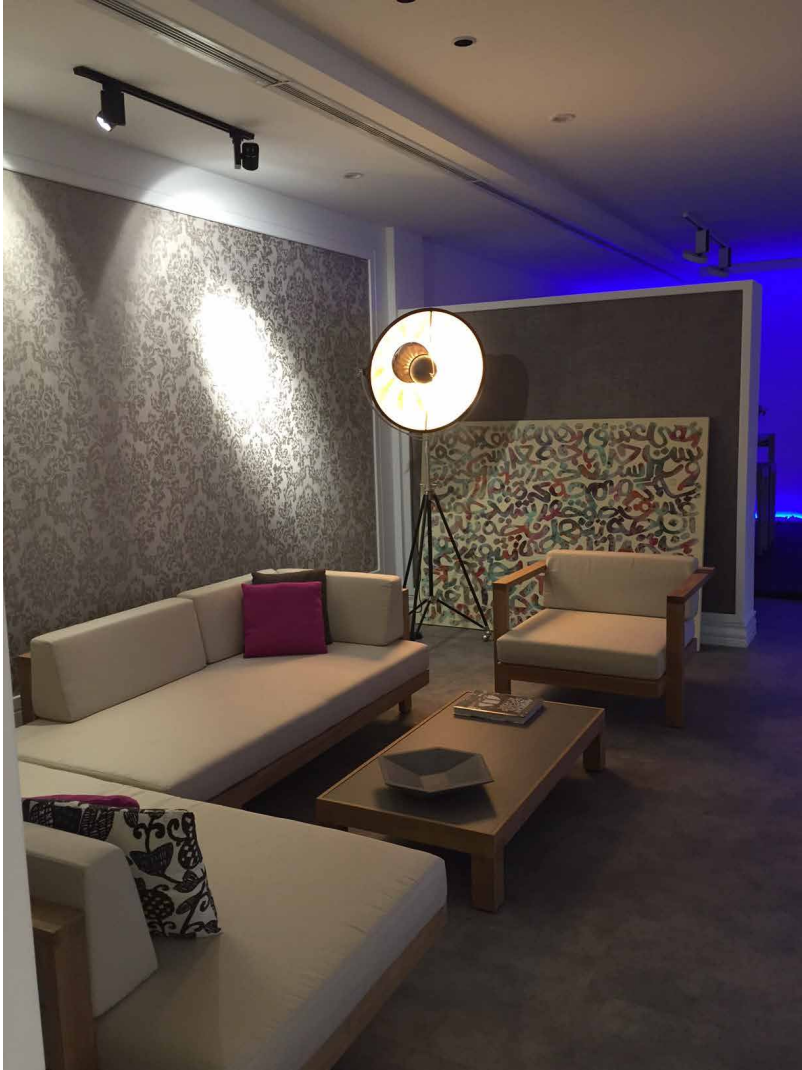




**CUBE PLATE**  
concrete plate



**"CUBE PLATE"**

Design by Valentino Marengo in 2014.

Cube plate is inspired by the tradition of visual illusions called Anamorphosis. In this product, the designer has transformed the linear image of a cube in a shallow hexagonal dish, but if you look at the dish from a certain perspective the cube reappears, this time as a solid.

**Properties**

Our company specializes in the production of concrete design elements. The raw material that we use is a unique reinforced mixture of cement, additives enhancers, glass fiber and special aggregates. UHPC.(ultra high performance concrete). The durability of concrete is known from the building construction. However the untreated concrete is not ideal to construct functional object.

Concrete is porous, so it absorbs and smudges easily. So, in order to be waterproof and protected from unwanted stains, is necessary the treatment and the sealing of the surface.

Cube plate is protected with a waterproofing system over the surface, consisting of specific varnishes in four stages, which achieves the best result while also does not affect the natural appearance and the texture of concrete.



## Aftercare

Each design object that is made of concrete, acquires value thanks to its uniqueness, its character, its aspect. By the selection of concrete, it will be supposed in advance that we have to respect its nature. We will be ready to make reprocesses in our habits. In order to its ageing will be done smoothly, we will attend it as much as it needs, without deterioration.

Although the concrete is a very hard material, it could break like a marble or a stone or ceramic. For this reason avoid the impact of heavy objects directly onto the concrete surface.

Please follow the instructions below to ensure the best possible maintenance of the product you selected.

The stain protection top layer is strong enough for the usual daily usage.

We recommend, not rubbing the surfaces with sharp objects like wire, metal objects or tools and hard sponges. The frequent use of those objects could wears out the sealing. The surface is cleanable and resistant from stain.

If you pour colored liquids, we recommend removing them with water before they dry, so you don't have to rub it excessively later. Always use soft sponges and common detergents for cleaning. Avoid strong detergents. Avoid the pouring of acids, solvents or alcohol, however if so, remove them with water in reasonable time. The frequent use of such kind of liquids could corrode the sealing. For the better maintenance we recommend to apply a wax time to time.

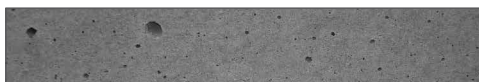
## Colors sort by category

Colored in its mass with pigments

•Basic

|           |             |            |       |             |
|-----------|-------------|------------|-------|-------------|
| Dark Grey | Medium Grey | Light Grey | Ivory | Brown/Beige |
|-----------|-------------|------------|-------|-------------|

Available in three shades of Grey, Ivory or Brown/Beige, with various grades of hue in every piece, as well as between the pieces. Every piece may appears with color tone variants at its surface, as also between the pieces or the sample.

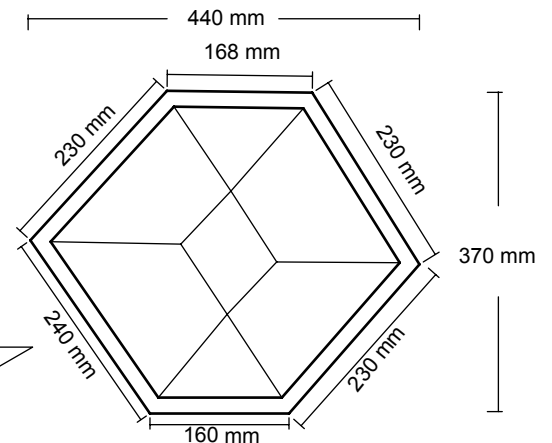


Concrete surface displays several air holes.

This is a natural characteristic of concrete.

## Dimensions/Weight

44x37 cm  
Height: 6,5 cm  
4,5kg



## Packaging

51x51x29cm  
6kg  
RECYCLED CARDBOARD



All rights reserved."Urbi et Orbi" brand and logos are registered trademarks. The industrial models of the product, the designation and the product photos are protected by the applicable copyright laws.

Urbi et Orbi reserves the right, in order to improve the capacities of the products, to make modifications to them, as if reference the raw materials, dimensions, weight, qualities or features, without prior notice.

