

PRODUCT DATA SHEET

Patroclo



DESIGN BY:

Gae Aulenti
1975

MATERIALS:

Blown glass, steel

DESCRIPTION:

Body in transparent blown glass with the diffuser partially covered by an irregular rhomboid metal frame. The frame is created by welding steel wire that is resistant to the heat of the glass which is blown within the cage.

With dimmer. The glass is then faceted to light a space with mottled light.

SELECT

HALO 

Transparent 

PRODUCT CODE

0060010A

Light emission



20   

Dimmable 

TECHNICAL DATA SHEET

FEATURES

Product name:	Patroclo
Article Code:	0060010A
Colour:	Transparent
Material:	Blown glass, steel
Series:	Design
Environment:	Indoor


OPTICS

Emission:	Diffused
-----------	----------

DIMENSIONS

Length:	cm 50
Height:	cm 45
Base Diameter:	cm 28
Impact Resistance:	N/D
Glow Wire Test:	N/D °

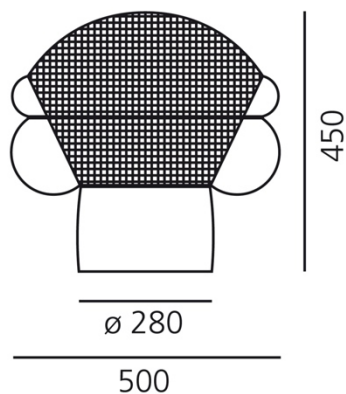
LAMPS NOT INCLUDED

	Category:	HALO
	Number:	1
	Lbs:	A60
	Watt:	77W
	Socket:	E27
	Luminous Flux (lm):	1180lm
	Colour Rendering:	1a
	Colour temperature (K):	2900K
	Duration (h):	1000h

LUMINAIR

Watt:	77W
Voltage:	220V-240V

DIMENSIONS



COLOUR

