

Nur Acoustic



IP20 Dimmerable:

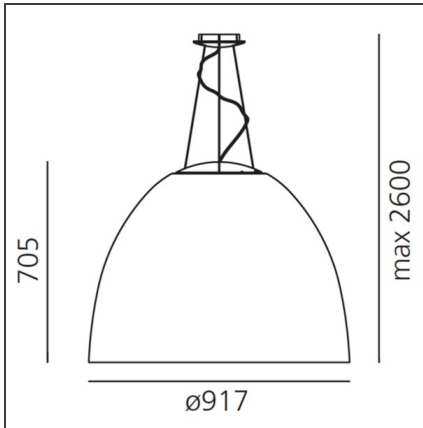
DESIGN BY

Ernesto Gismondi

DESCRIPTION

The bestselling appliance Nur, an iconic product from the Artemide collection, is restyled in a new acoustic version. The bell-shaped body is designed to mark the boundaries through light, as well as with ambient sound control. The special material absorbs sound waves and reduces their reverberation time, the body's geometry enhances the material's properties by trapping and absorbing sound within. The selected colours, matched with a white inner surface, valorize light. Perfect environmental quality is thus obtained.

TECHNICAL DRAWINGS



FEATURES

| | | | |
|----------------------|-----------------|------------------|--------------------------|
| Article Code: | A243700 | Material: | PET, methacrylate, glass |
| Colour: | White/dark grey | Series: | Design |
| Installation: | Suspension | | |
| Environment: | Indoor | | |

DIMENSIONS

| | | | |
|---------------------------------|---------|------------------------|-----|
| Height: | cm 70.5 | Glow Wire Test: | 650 |
| Max Height from ceiling: | cm 260 | | |

INCLUDED SOURCES

| | | | |
|--------------------------------------|------|-------------------------------|---------------|
| Category: | LED | Color temperature (K): | 3000K |
| Number: | 1 | Color Tolerance: | MacAdam 2SDCM |
| Watt: | 75W | CRI: | 90 |
| Delivered lumens output (lm): | 9112 | Efficacy: | 122lm/W |
| Type: | 0 | Service Life: | 50000-L70 |

LUMINAIRE

| | | | |
|-----------------|----------|--------------------------------------|-----------|
| Watt: | 80W | Delivered lumens output (lm): | 6151lm |
| Voltage: | 220-240V | CCT: | 3000K |
| | | Efficiency: | 68% |
| | | Efficacy: | 76.89lm/W |
| | | CRI: | 90 |
| | | Dimmable Typology: | Push |