

PRODUCT DATA SHEET

Castore floor 35

**DESIGN BY :**

MicheleDe Lucchi,HuubUbbens
2003

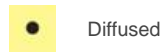
MATERIALS :

Zamak, thermoplastic resin, blown glass

DESCRIPTION :

The spherical diffuser design is enhanced by a removable-fitting and tapering luminous stem, making a gentle transition from the strong diffuser light to the blind lamp structure area. Base in zamac; stem in thermoplastic resin; blown glass diffuser.

A touch dimmer button on the stem for the storage of the last light intensity set-up or the use of a local or remote control. Available in two sizes.

Light emission

Diffused



TECHNICAL DATA SHEET

FEATURES

Product name:	Castore floor 35
Article Code:	1055010A
Colour:	White
Material:	Zamak, thermoplastic resin, blown glass
Series:	Design
Environment:	Indoor
Area contract:	Hospitality Hotel,Retail,Private Residence

DIMENSIONS**OPTICS**

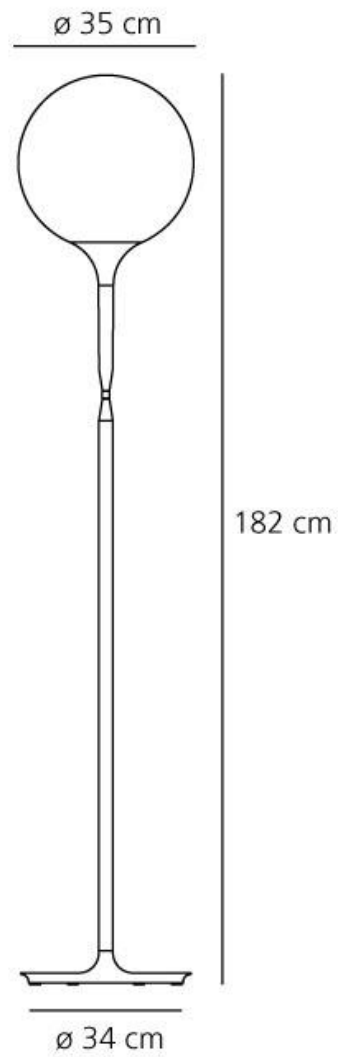
Emission:	Diffused
-----------	----------

DIMENSIONS

Height:	cm 18.2
Cutout width:	cm 3.5
Base Diameter:	cm 3.4
Cutout shape:	

LAMPS NOT INCLUDED

Category:	HALO
Number:	1
Lbs:	Qt32
Watt:	150 W
Socket:	E27
Type:	Hsgsb/c
Luminous Flux (lm):	2870 lm
Colour Rendering:	1a
Colour temperature (K):	2900 K
Duration (h):	2000



LAMP

20      

Dimmer

LUMINAIR

Watt: 150 W
Voltage: 220V-240V