



WEVER & DUCRÉ
LIGHTING

TUBE WALL 2.0 PAR16

711220Q0

Project

Type

Notes

Quantity

Date

GENERAL

Wall
Surface
Bronze
IP65
Exterior
Indirect 405^a to 420^b lm

LED

Lamp 2 x PAR16
PAR16
Socket GU10
max. 5.0 W

ELECTRICAL

100 - 240 V
Class 1
Safety distance 0.3 m

PHYSICAL

Diameter 80 mm
Height 152 mm
0.7 kg

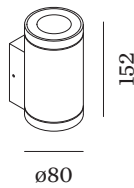
^a PAR16 LAMP 2700K CRI90

^b PAR16 LAMP 3000K CRI90

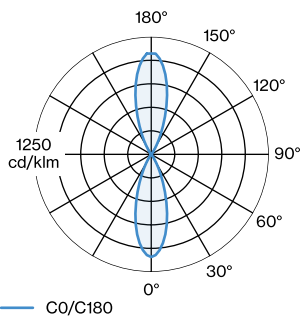


IP65 0,3

Cylindrical wall surface mounted luminaire made from die-cast aluminium; surface Bronze; powder coated; matt texture; lamp socket GU10; lamp type PAR16; 2x max. 5W; 100 - 240 V; up and down light emission; degree of protection IP65; PC1; lamp not included;



LIGHT DISTRIBUTION



[711220Q0] The technical data represent rated values for an ambient temperature of 25°C. The data values for the luminous flux are initially subject to a tolerance of +/- 10%, those for the electrical connected load are initially subject to a tolerance of +/- 10%, and those for the colour temperature are initially subject to a tolerance of +/- 150 K. No liability is assumed for typographical or printing errors. The general terms and conditions of Wever & Ducré BV apply.
© Wever & Ducré BV · Spinnerijstraat 99/21 · 8500 Kortrijk · Belgium · www.weverducre.com



WEVER & DUCRÉ
LIGHTING

TUBE WALL 2.0 PAR16

711220Q0

LAMPS

PAR16 LED Lamp

TYPE	COLOUR	Ø·H (MM)	ORDERCODE
2700K >90 CRI GU10	Black	ø50·60	9 0 1 2 2 8 B 3
3000K >90 CRI GU10	Black	ø50·60	9 0 1 2 2 8 B 5
2700K >90 CRI GU10	White	ø50·60	9 0 1 2 2 8 W 3
3000K >90 CRI GU10	White	ø50·60	9 0 1 2 2 8 W 5
2700K >80 CRI GU10	Silver	ø50·60	9 0 5 2 2 7 S 2
3000K >80 CRI GU10	Silver	ø50·60	9 0 5 2 2 7 S 4