



WEVER & DUCRÉ
LIGHTING

MICK snooze 1.0

159654J5

Project _____

Type _____

Notes _____

Quantity _____

Date _____

GENERAL

Wall _____

Surface _____

Signal White + Gold _____

IP20 _____

Interior _____

195 lm _____

LED

3000 K _____

CRI 90 _____

L80 / 50000 h _____

3-step binning _____

OPTICAL

Beam angle 17° _____

PHYSICAL

Length 130 mm _____

Width 26 mm _____

Height 375 mm _____

0.39 kg _____

incl. switch on/off _____

Tilt min 90° _____

Tilt max 90° _____

Rotation 350° _____

ELECTRICAL

incl. power supply _____

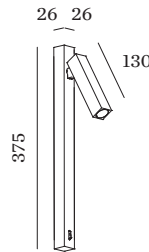
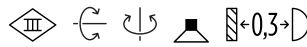
220 - 240 V _____

Total connected power 7.5 W _____

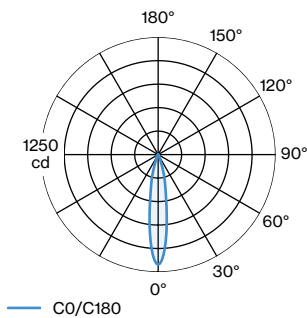
LED Inset 5.6 W _____

PC3 _____

Safety distance 0.3 m _____



LIGHT DISTRIBUTION





WEVER & DUCRÉ
LIGHTING

MICK

snooze 1.0

159654J5

CONE DIAGRAM

18°

h (m)	E0° (lx)	ø (m)
1	1170	0.31
2	293	0.62
3	130	0.93
4	73	1.25
5	46	1.56